

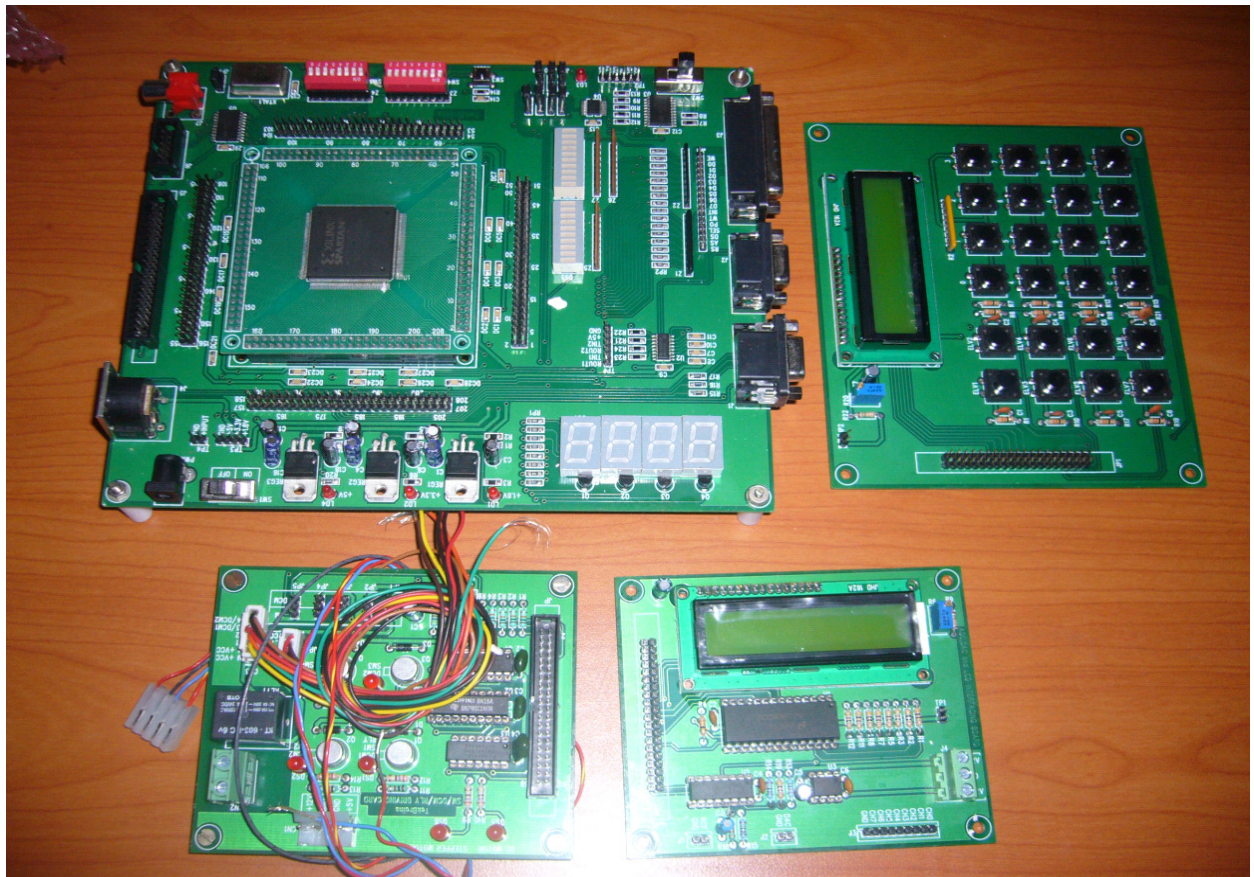
**A Complete  
Electronics System  
Design &  
Manufacturing  
company**



***TekBrains* Pvt.Ltd**  
**(Advancing Technology & Research)**

**[www.tekbrains.co.in](http://www.tekbrains.co.in)**

***TKB FPGA (SPARTAN 2) UNIVERSAL KIT***

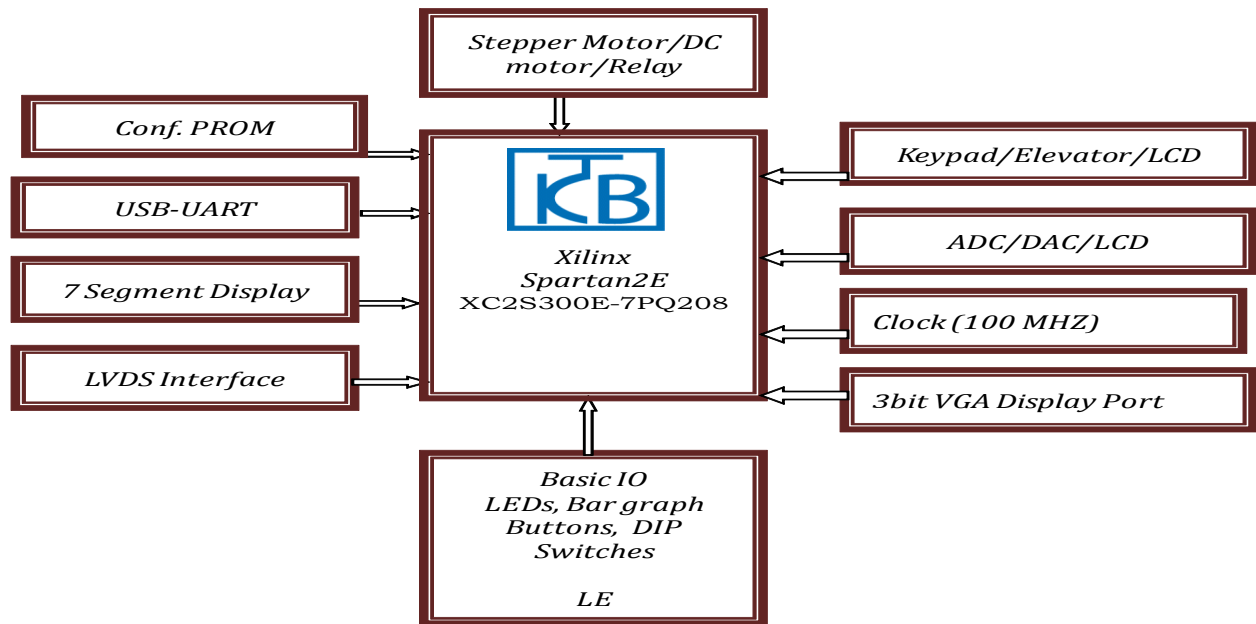


**R&D House: Advanced Electronics Lab, Malti Niwas, Road no-1, Dhelwan(Kankarbagh),  
Patna , Pin: 800020,Tel: +91-612-2340844, 8002359537**

## About Kit:

The TKB universal VLSI platform is capable of integrating Xilinx FPGA's and CPLD's in PQ packages. It supports devices from XC9500 CPLDs, Spartan-2E FPGA from Xilinx. This protoboard gives a complete learning experience in various PLD architectures and their features.

This kit has ADC, LCD, Stepper motor, elevator, LED, Serial communication, Keyboard and other interfaces. This kit is good for academic and research purposes. The Technical details of the products are given below:



## Features:

- Xilinx based programmable logic Single base board for CPLD and FPGA (XC2S300E-7PQ208 )
- Platform Flash or configuration PROM
- Universal power supply 100-240V AC,50/60 Hz or On-board USB power or Socket power circuitry
- In-system JTAG JTAG Programming/Configuration Port with USB
- High-speed LVDS Interface Supporting SPI
- On-board up to 100MHz Oscillators
- On-board LVTTTL Oscillator Socket (4/8-Pin Oscillators) or User can provide his own clock
- Two User LVDS Clock Inputs via Differential SMA Connectors
- SDRAM Memory Blocks can be used as a single x64 Memory
- A 40-Pin User Header to be used as General-Purpose I/O or IDE interface
- 3-bit, Eight color VGA display port/Nine pin RS-232 serial port /CPU JTAG/Debug Ports
- User LEDs/DIP Switches ,Toggle Switches and One momentary contact Push-Button Switches
- Four character, seven-segment LED display
- Elevator / keypad-interface with LCD Option
- 8-12 bit Channel DAC/ADC Interface with LCD Panel
- Stepper Motor & DC Motor/Relay Interface